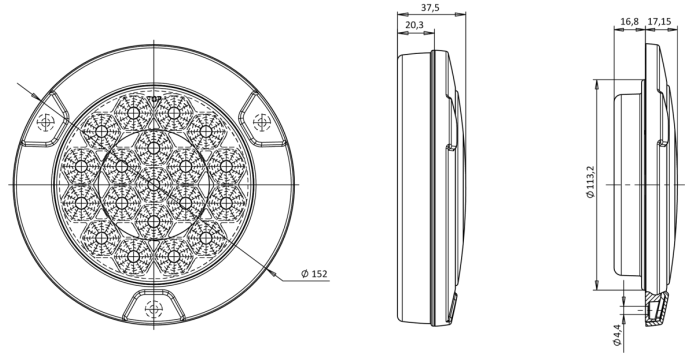


LIGHTS FRONT AND REAR

1100-1

LED rear light | round | 12-24V

EAN: 5414184003675



Specifications

Certification	ECE
Color	Amber/red
Colour of lens	Amber/red
Connection	Open cable ends
Diameter mm	152 mm
EMC	EMC R10
EMC R10	Yes
IP-degree	IP66+IP68
Length of cable (m)	2 m
Light source	LED
Mounting	Surface or recessed mount

Mounting side	Rear - Left & right
Operating voltage	12V - 24V
Operation temperature	-30°C / +65°C
Packing	POS packaging
Supplied with	Mounting screws
Thickness mm	35 mm
To be ordered by	1
Type	Rear lights
Weight (kg)	0,42 Kg
With Direction indicator	Yes
With Tail-Stop	Yes

Good to know

Chrome ring for stylish touch