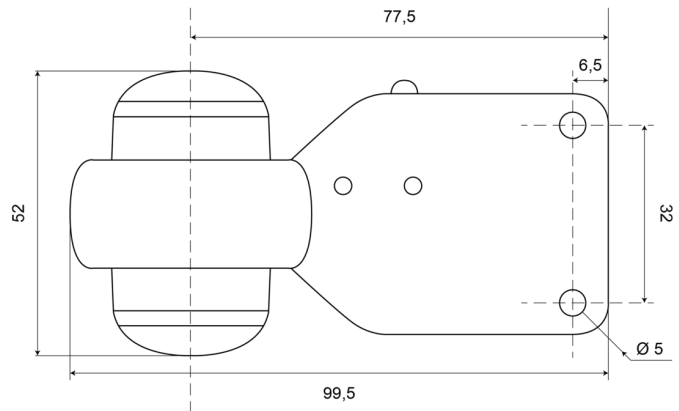


MARKERLIGHTS

210-DV-CR/RO

LED marker light | left+right | 12-24V | red/white

EAN: 5414184003972



Specifications

| | | | |
|-----------------|----------------------------|-----------------------|---------------|
| Certification | ECE R7 | IP-degree | IP66+IP68 |
| Characteristics | Very compact ! | Light source | LED |
| Color | Red/white | Mounting | Surface mount |
| Colour of lens | Clear | Mounting side | Side |
| Connection | Open cable ends | Operating voltage | 12V - 24V |
| Diameter mm | 44,5 mm | Operation temperature | -30°C / +65°C |
| EMC | EMC R10 | Packing | POS packaging |
| EMC R10 | Yes | To be ordered by | 1 |
| Functions | Outline marker 2 functions | Weight (kg) | 0,060 Kg |
| Height mm | 99,5 mm | Width mm | 52 mm |