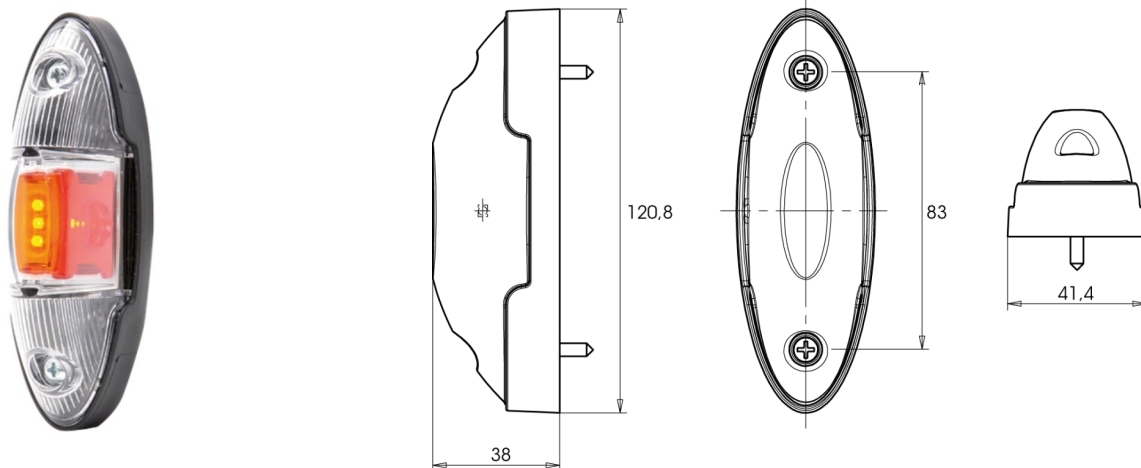


MARKERLIGHTS

211/LED-3

LED marker light | left+right | 12-24V | red/amber/white

EAN: 5414184004238



Specifications

Certification	ECE R91+R7	Mounting	Surface mount
Color	Amber/red/white	Mounting side	Side
Colour of lens	Clear	Operating voltage	12V - 24V
Connection	Open cable ends	Operation temperature	-30°C / +65°C
EMC	EMC R10	Packing	POS packaging
EMC R10	Yes	Supplied with	Mounting rubber
Functions	Outline marker 3 functions	Thickness mm	38 mm
Height mm	121 mm	To be ordered by	1
IP-degree	IP66+IP68	Weight (kg)	0,082 Kg
Light source	LED	Width mm	41,4 mm