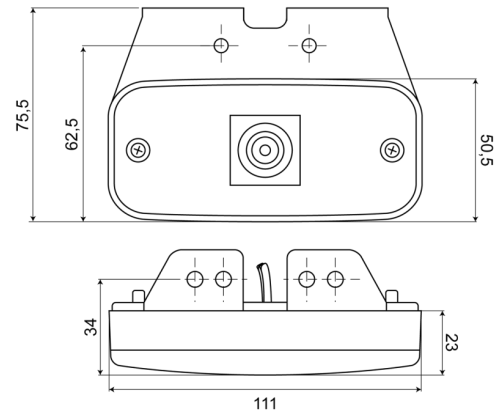


MARKERLIGHTS

226-DV-CR

LED marker light | 12-24V | white

EAN: 5414184001695



Specifications

Certification	ECE R3+R7	Mounting	Surface mount/bracket
Color	White	Mounting side	Front
Colour of lens	Clear	Number of LEDs	1
Connection	Open cable ends	Operating voltage	12V - 24V
Dimensions	110 x 50,5 (75,5) x 23 mm	Operation temperature	-30°C / +65°C
EMC	EMC R10	Packing	POS packaging
EMC R10	Yes	Supplied with	Separate bracket
Functions	Front end-outline light	To be ordered by	1
IP-degree	IP66+IP68	Weight (kg)	0,076 Kg
Light source	LED		