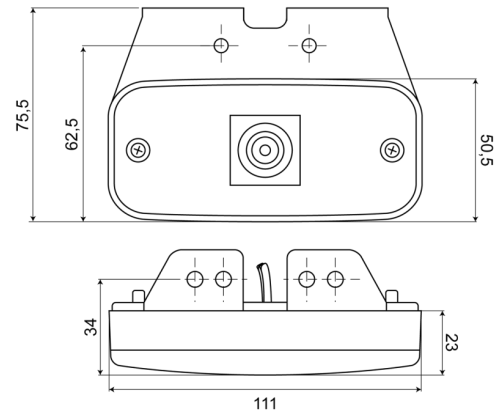


MARKERLIGHTS

226-DV-OR

LED marker light | 12-24V | amber

EAN: 5414184003989



Specifications

| | | | |
|----------------|---------------------------|-----------------------|-----------------------|
| Certification | ECE R3+R91 | Mounting | Surface mount/bracket |
| Color | Amber | Mounting side | Side |
| Colour of lens | Amber | Number of LEDs | 2 |
| Connection | Open cable ends | Operating voltage | 12V - 24V |
| Dimensions | 110 x 50,5 (75,5) x 23 mm | Operation temperature | -30°C / +65°C |
| EMC | EMC R10 | Packing | POS packaging |
| EMC R10 | Yes | Supplied with | Separate bracket |
| Functions | Side position marker | To be ordered by | 1 |
| IP-degree | IP66+IP68 | Weight (kg) | 0,076 Kg |
| Light source | LED | | |