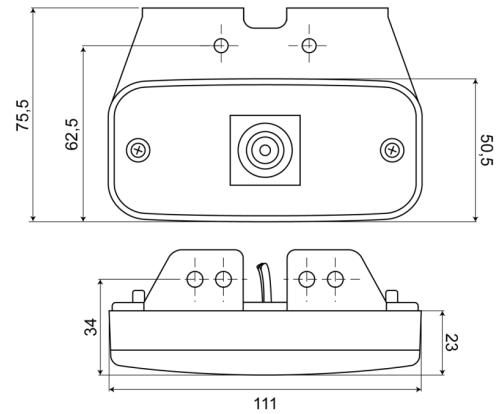


MARKERLIGHTS

226-DV-RO

LED marker light | 12-24V | red

EAN: 5414184004337



Specifications

Certification	ECE R3+R7	Mounting	Surface mount/bracket
Color	Red	Mounting side	Rear
Colour of lens	Red	Number of LEDs	1
Connection	Open cable ends	Operating voltage	12V - 24V
Dimensions	110 x 50,5 (75,5) x 23 mm	Operation temperature	-30°C / +65°C
EMC	EMC R10	Packing	POS packaging
EMC R10	Yes	Supplied with	Separate bracket
Functions	Rear end-outline lamp	To be ordered by	1
IP-degree	IP66+IP68	Weight (kg)	0,076 Kg
Light source	LED		