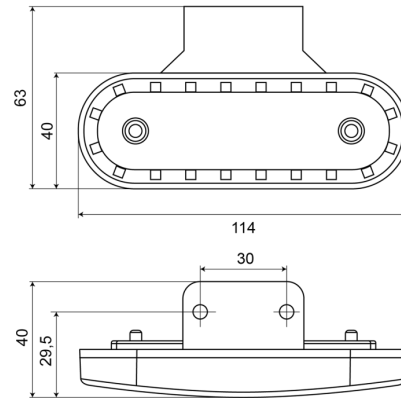


MARKERLIGHTS

228-DV-CR

LED marker light | 12-24V | white

EAN: 5414184001701



Specifications

Certification	ECE R3+R7
Color	White
Colour of lens	Clear
Connection	Open cable ends
Dimensions	114 mm x 40 (63) mm x 25 mm
EMC	EMC R10
EMC R10	Yes
Functions	Front end-outline lamp
IP-degree	IP66+IP68
Light source	LED

Mounting	Surface mount/bracket
Mounting side	Front
Number of LEDs	20
Operating voltage	12V - 24V
Operation temperature	-30°C / +65°C
Packing	POS packaging
Supplied with	Separate bracket
To be ordered by	1
Weight (kg)	0,072 Kg

Good to know

Connection wires specially treated to ensure watertightness