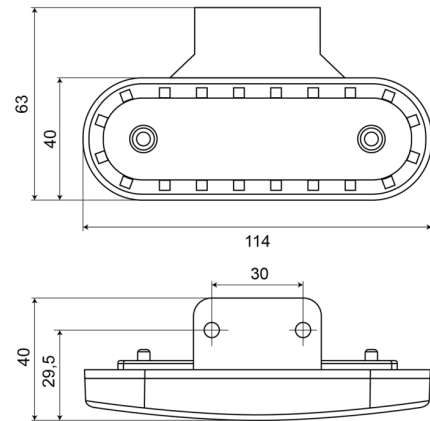


# MARKERLIGHTS

228-DV-RO

LED marker light | 12-24V | red

EAN: 5414184001718



## Specifications

Certification	ECE R3+R7	Mounting	Surface mount/bracket
Color	Red	Mounting side	Rear
Colour of lens	Red	Number of LEDs	20
Connection	Open cable ends	Operating voltage	12V - 24V
Dimensions	114 x 40 (63) x 25 mm	Operation temperature	-30°C / +65°C
EMC	EMC R10	Packing	POS packaging
EMC R10	Yes	Supplied with	Separate bracket
Functions	Rear end-outline lamp	To be ordered by	1
IP-degree	IP66+IP68	Weight (kg)	0,072 Kg
Light source	LED		