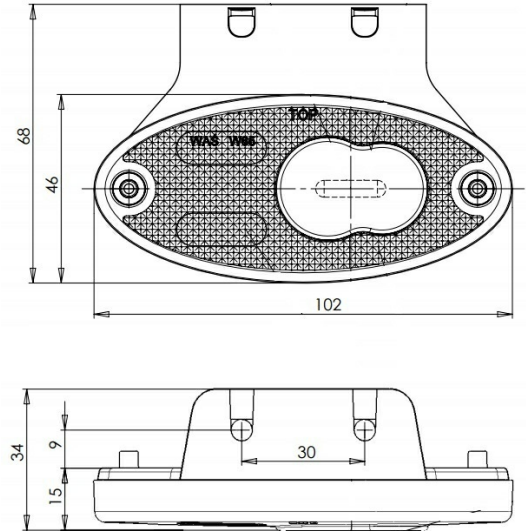


# MARKERLIGHTS

230-DV-OR

LED marker light | 12-24V | amber

EAN: 5414184004092



## Specifications

Certification	ECE R3+R91	Length of cable (m)	0,20 m
Color	Amber	Light source	LED
Colour of lens	Amber	Mounting	Bracket
Connection	Open cable ends	Mounting side	Side
Dimensions	102 x 68 x 15 mm	Operating voltage	12V - 24V
EMC	EMC R10	Operation temperature	-30°C / +65°C
EMC R10	Yes	Packing	POS packaging
Functions	Side position marker	To be ordered by	1
IP-degree	IP66+IP68	Weight (kg)	0,045 Kg