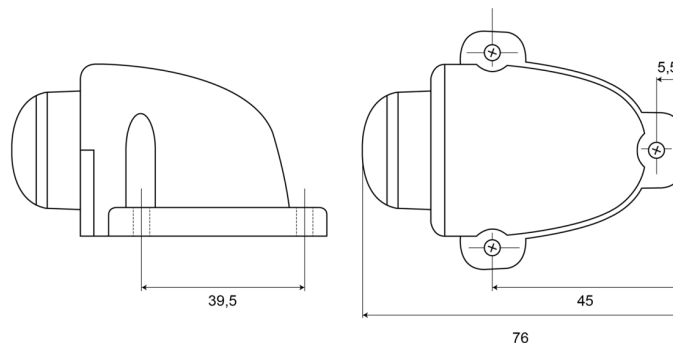


MARKERLIGHTS

233-DV-CR

LED marker light | 12-24V | white

EAN: 5414184004320



Specifications

| | | | |
|----------------|-------------------------|-----------------------|---------------|
| Certification | ECE R7 | Length mm | 76 mm |
| Color | White | Light source | LED |
| Colour of lens | Clear | Mounting | Surface mount |
| Connection | Open cable ends | Mounting side | Front |
| Diameter mm | 42 mm | Operating voltage | 12V - 24V |
| EMC | EMC R10 | Operation temperature | -30°C / +65°C |
| EMC R10 | Yes | Packing | POS packaging |
| Functions | Front end-outline light | To be ordered by | 1 |
| Height mm | 42 mm | Weight (kg) | 0,042 Kg |
| IP-degree | IP66+IP68 | Width mm | 57,5 mm |