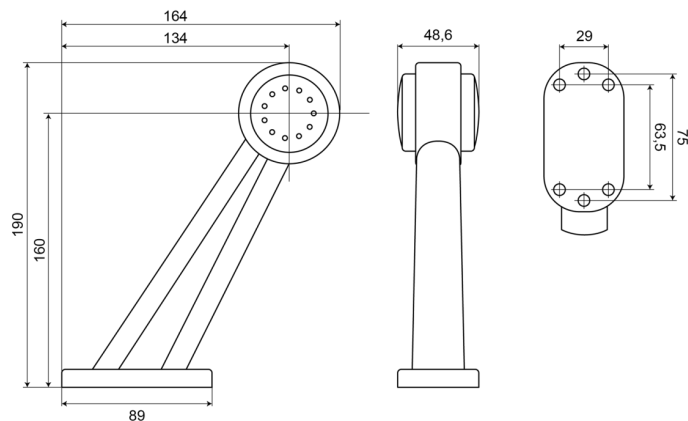


MARKERLIGHTS

236L-DV

LED marker light | left | 12-24V | red/white

EAN: 5414184004306



Specifications

| | | | |
|----------------|----------------------------|-----------------------|---------------|
| Certification | ECE R7 | IP-degree | IP66+IP68 |
| Color | Red/white | Light source | LED |
| Colour of lens | Red/clear | Mounting | Surface mount |
| Connection | Open cable ends | Mounting side | Left |
| Diameter mm | 60 mm | Operating voltage | 12V - 24V |
| Dimensions | 190 x 164 x 48,6 mm | Operation temperature | -30°C / +65°C |
| EMC | EMC R10 | Packing | POS packaging |
| EMC R10 | Yes | To be ordered by | 1 |
| Functions | Outline marker 2 functions | Weight (kg) | 0,210 Kg |