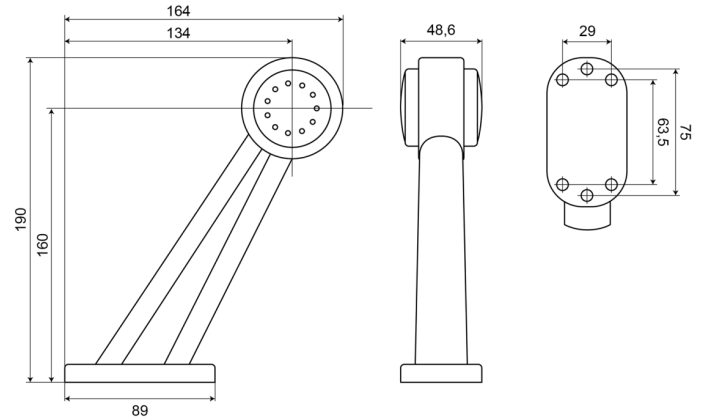


MARKERLIGHTS

236R-DV

LED marker light | right | 12-24V | red/white

EAN: 5414184004375



Specifications

Certification	ECE R7	IP-degree	IP66+IP68
Color	Red/white	Light source	LED
Colour of lens	Red/clear	Mounting	Surface mount
Connection	Open cable ends	Mounting side	Right
Diameter mm	60 mm	Operating voltage	12V - 24V
Dimensions	190 x 164 x 48,6 mm	Operation temperature	-30°C / +65°C
EMC	EMC R10	Packing	POS packaging
EMC R10	Yes	To be ordered by	1
Functions	Outline marker 2 functions	Weight (kg)	0,210 Kg