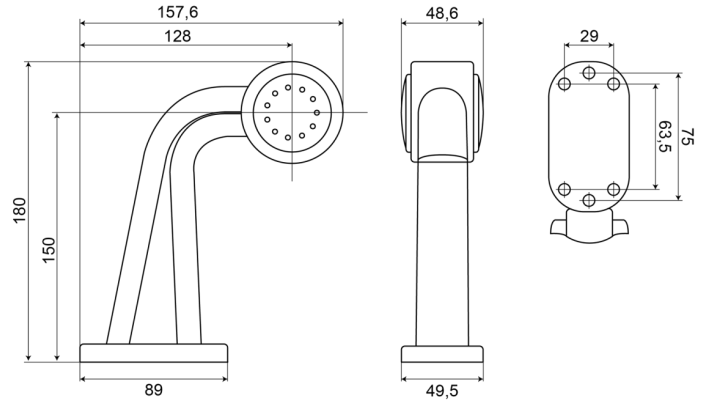


MARKERLIGHTS

237R-DV

LED marker light | right | 12-24V | red/white

EAN: 5414184004269



Specifications

Certification	ECE R7	IP-degree	IP66+IP68
Color	Red/white	Light source	LED
Colour of lens	Red/clear	Mounting	Surface mount
Connection	Open cable ends	Mounting side	Right
Diameter mm	60 mm	Operating voltage	12V - 24V
Dimensions	180 x 157,6 x 49,5 mm	Operation temperature	-30°C / +65°C
EMC	EMC R10	Packing	POS packaging
EMC R10	Yes	To be ordered by	1
Functions	Outline marker 2 functions	Weight (kg)	0,249 Kg