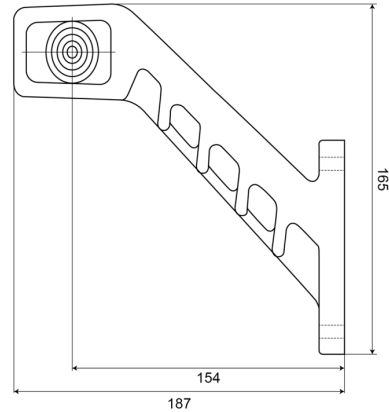


MARKERLIGHTS

240L-DV

LED marker light | left | 12-24V | red/amber/white

EAN: 5414184004399



Specifications

Certification	ECE R91+R7
Color	Amber/red/white
Colour of lens	Clear
Connection	Open cable ends
Dimensions	187 mm x 165 mm x 37 mm
EMC	EMC R10
EMC R10	Yes
Functions	Outline marker 3 functions
IP-degree	IP66+IP68
Light source	LED

Mounting	Surface mount
Mounting side	Left
Operating voltage	12V - 24V
Operation temperature	-30°C / +65°C
Packing	POS packaging
To be ordered by	1
Weight (kg)	0,23 Kg

Good to know

Connection wires specially treated to ensure watertightness