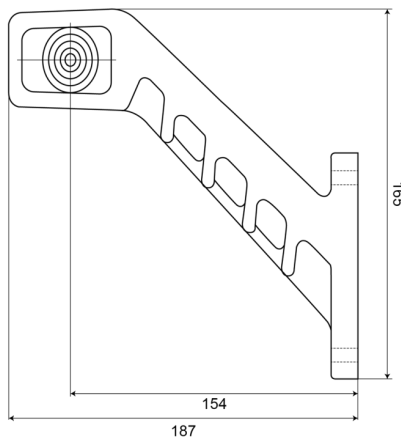


MARKERLIGHTS

240R-DV

LED marker light | right | 12-24V | red/amber/white

EAN: 5414184004313



Specifications

Certification	ECE R91+R7
Color	Amber/red/white
Colour of lens	Clear
Connection	Open cable ends
Dimensions	187 x 165 x 37 mm
EMC	EMC R10
EMC R10	Yes
Functions	Outline marker 3 functions
IP-degree	IP66+IP68
Light source	LED

Mounting	Surface mount
Mounting side	Right
Operating voltage	12V - 24V
Operation temperature	-30°C / +65°C
Packing	POS packaging
To be ordered by	1
Weight (kg)	0,226 Kg