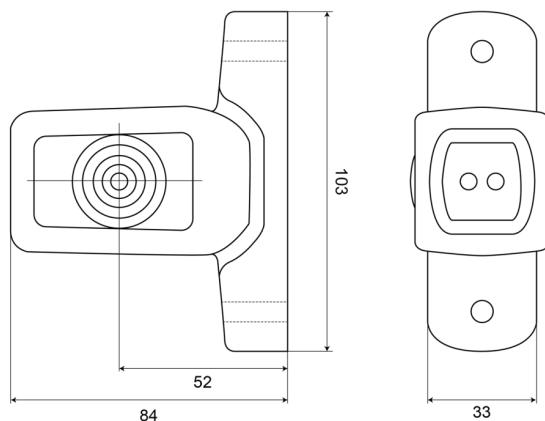


# MARKERLIGHTS

286-DV

LED marker light | left+right | 12-24V | red/amber/white

EAN: 5414184003859



## Specifications

Certification	ECE R91+R7	Mounting	Surface mount
Color	Amber/red/white	Mounting side	Side
Colour of lens	Clear	Operating voltage	12V - 24V
Connection	Open cable ends	Operation temperature	-30°C / +65°C
Dimensions	84 x 103 x 33 mm	Packing	POS packaging
EMC	EMC R10	To be ordered by	1
EMC R10	Yes	Weight (kg)	0,150 Kg
Functions	Outline marker 3 functions		
IP-degree	IP66+IP68		
Light source	LED		