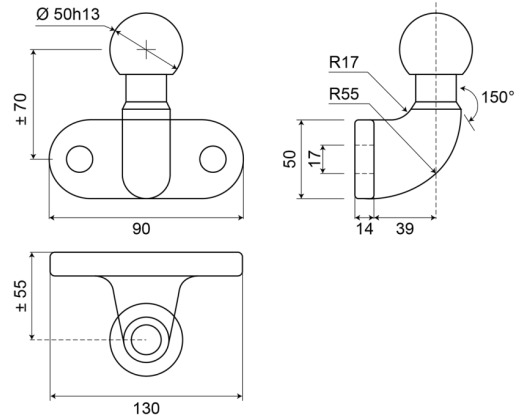


TOW BAR

300

Fixed flange towbar | ball 50mm

EAN: 5414184640115



Specifications

Diameter mm	50 mm	Weight (kg)	1,500 Kg
Mounting	Surface mount		
Packing	Bulk		
To be ordered by	1		