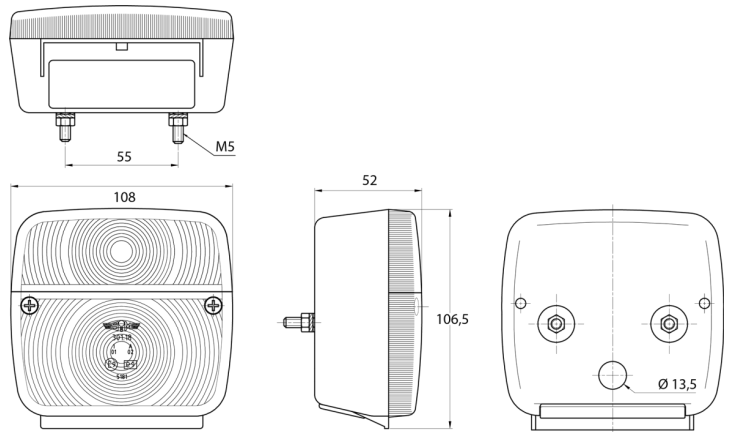


LIGHTS FRONT AND REAR

3118.1000150

Halogen rear light | left+right | 12-24V

EAN: 5414184565098



Specifications

Certification	ECE	Packing	POS packaging
Color	Amber/red	Socket	P21W-BA15s/P21/5W BAY15d
Colour of lens	Amber/red	Supplied with	Mounting screws
Connection	Grommet	Thickness mm	52 mm
Height mm	106.5 mm	To be ordered by	2
Length mm	108 mm	Type	Rear lights
Light source	Halogen	Weight (kg)	0,162 Kg
Mounting	Surface mount	With Direction indicator	Yes
Mounting side	Rear - Left & right	With Tail-Stop	Yes
Operating voltage	12V - 24V		