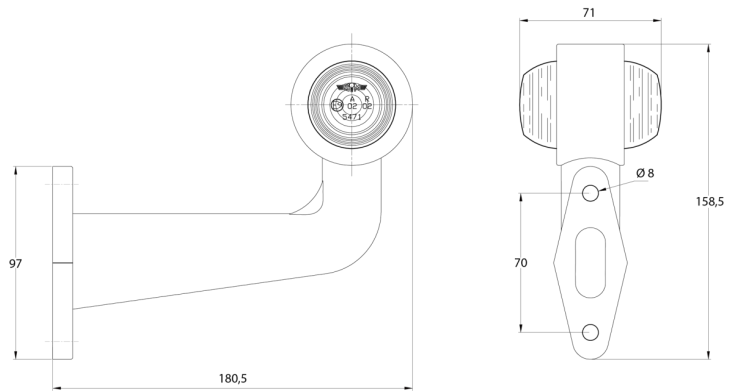


MARKERLIGHTS

3119.000000

Marker light | left+right | 12-24V | red/white

EAN: 5414184004931



Specifications

Certification	ECE R7	Mounting	Surface mount
Color	Red/white	Mounting side	Left & right
Colour of lens	Red/clear	Packing	White box with label
Connection	Open cable ends	Socket	R5W-BA15s
Functions	Outline marker 2 functions	Thickness mm	71 mm
Height mm	158,5 mm	To be ordered by	2
Length mm	180,5 mm	Weight (kg)	0,195 Kg
Light source	Halogen		