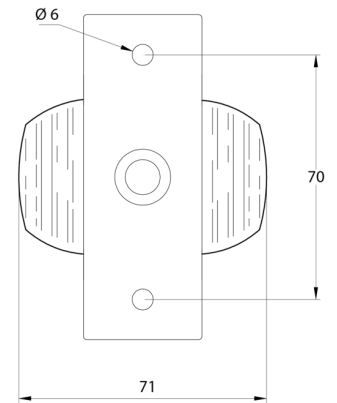
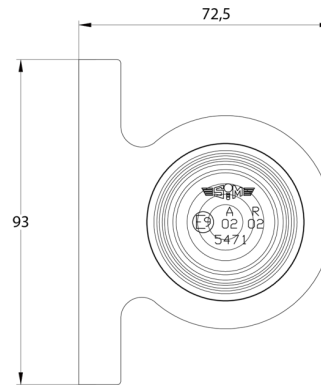


MARKERLIGHTS

3119.1000000

Marker light | left+right | 12-24V | red/white

EAN: 5414184550094



Specifications

Certification	ECE R7	Mounting	Surface mount
Color	Red/white	Mounting side	Left & right
Colour of lens	Red/clear	Packing	White box with label
Connection	Open cable ends	Socket	R5W-BA15s
Functions	Outline marker 2 functions	Thickness mm	71 mm
Height mm	72,5 mm	To be ordered by	6
Length mm	97 mm	Weight (kg)	0,112 Kg
Light source	Halogen		