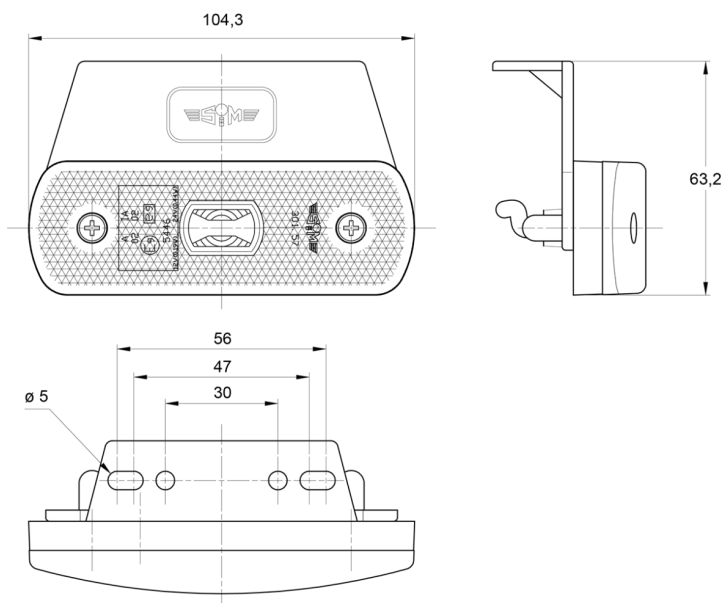


MARKERLIGHTS

3157.1105024

LED marker light | 12-24V | white

EAN: 5414184564374



Specifications

ADR approved	Yes
Certification	ECE R3+R7
Color	White
Colour of lens	Clear
Connection	Open cable ends
Dimensions	104 x 63 x 20 mm
EMC	EMC R10
EMC R10	Yes
Functions	Front end-outline light
Light source	LED

Mounting	Bracket
Mounting side	Front
Operating voltage	12V - 24V
Supplied with	Mounting screws
To be ordered by	1
Waterproof	Yes
Weight (kg)	0,400 Kg