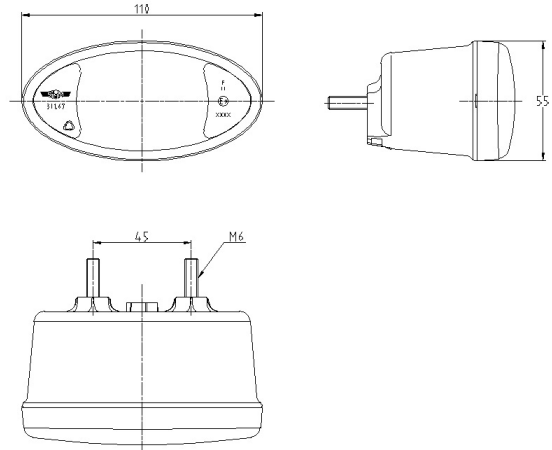


LIGHTS FRONT AND REAR

3167.0305100

LED direction indicator | left+right | 12-24V

EAN: 5414184018051



Specifications

| | | | |
|---------------------|------------------|-------------------|----------------------|
| Certification | ECE R6 | Mounting | Surface mount |
| Color | Amber | Mounting side | Left & right |
| Colour of lens | Amber | Operating voltage | 12V - 24V |
| Connection | Open cable ends | Packing | POS packaging |
| Dimensions | 110 x 55 x 70 mm | To be ordered by | 1 |
| EMC | Yes | Type | Direction indicators |
| IP-degree | IP65 | Weight (kg) | 0,203 Kg |
| Length of cable (m) | 0,50 m | | |
| Light source | LED | | |
| Material | Polycarbonat | | |