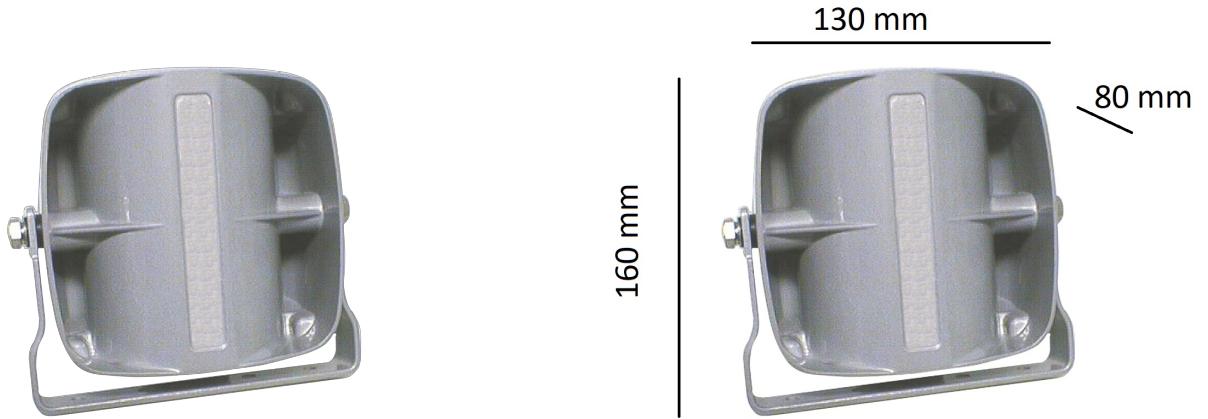


385-034

Speaker flat | 100 watt-120dB

EAN: 5414184001916



Specifications

Decibel	120 dB	To be ordered by	1
Dimensions	160 x 130 x 80 mm	Type	Speaker
Mounting	Hidden	Watt	100 Watt
Specifications	8 ohm - 200/5000 Hz	Weight (kg)	3,300 Kg