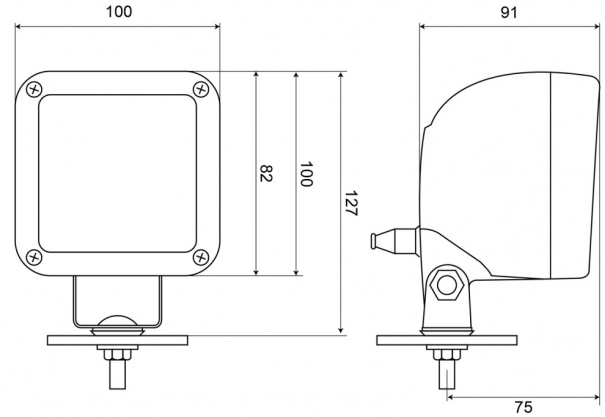


EAN: 5414184530287



Specifications

Characteristics	Plastic body, matt black finish. Insensitive to corrosion.	Operation temperature	-30°C / +65°C
Color	White	Packing	White box with label
Colour of lens	Clear	Socket	H3
Connection	Push-on terminals	Supplied with	Mounting screws
Dimensions	100 x 127 x 91 mm	To be ordered by	1
Length of cable (m)	N/A	Type	Square
Light source	Halogen	Weight (kg)	0,57 Kg
Lumen	N/A		
Mounting	Bolt		
Operating voltage	12V - 24V		