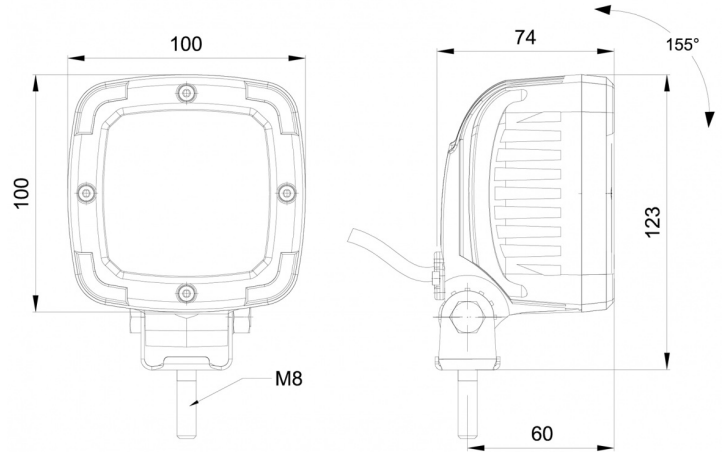


WORK LIGHTS

467 LED-2800

LED worklamp | 12-55V | square | 2800 lumen

EAN: 5414184530379



Specifications

Characteristics	Aluminium body, matt black finish. Treated to resist corrosion.	Lumen	2800
Color	White	Lumen range	High (2000 - 4000 Lumen)
Colour of LEDs	White	Mounting	Bolt
Colour of lens	Clear	Number of LEDs	9
Connection	Open cable ends	Operating voltage	12V - 55V
Dimensions	100 x 100 x 74 mm	Operation temperature	-30°C / +65°C
EMC	EMC R10	Packing	POS packaging
EMC R10	Yes	Supplied with	Mounting screws
IP-degree	IP68	To be ordered by	1
Kelvin value	6000K	Type	Square
Length of cable (m)	1,50 m	Watt	35 Watt
Light source	LED	Weight (kg)	0,805 Kg