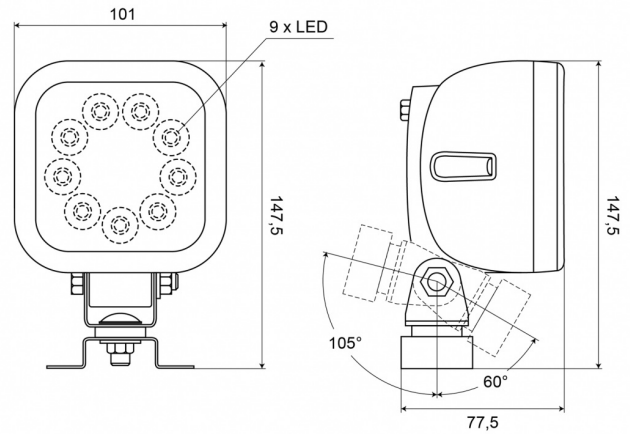


WORK LIGHTS

477LED-9

LED worklamp | 10-35V | square | 1980 lumen

EAN: 5414184004511



Specifications

Characteristics	Plastic body, matt black finish. Insensitive to corrosion.	Lumen	1980
Color	White	Lumen range	Medium (800 - 2000 Lumen)
Colour of LEDs	White	Mounting	Bracket omega type
Colour of lens	Clear	Number of LEDs	9
Connection	Open cable ends	Operating voltage	12V - 24V
Dimensions	101 x 147,5 x 77,5 mm	Operation temperature	-30°C / +65°C
EMC	EMC R10	Packing	POS packaging
EMC R10	Yes	To be ordered by	1
IP-degree	IP66+IP68	Type	Square
Kelvin value	5400K	Watt	14,40 Watt
Length of cable (m)	2,50 m	Weight (kg)	0,645 Kg
Light source	LED		