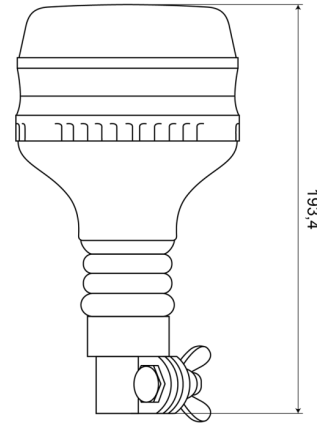


# ROTATING BEACONS

505F-DV-OR/R

Beacon | LED | flexible tube mounting | 12-24v | amber

EAN: 5414184720008



## Specifications

Color	Amber	Material	Lens: PC
Connection	Tube mounting	Mounting	Tube mounting, flexible
Diameter mm	120 mm	Number of LEDs	8
ECE R65 Class 1	Yes	Number of flash patterns	1
EMC	EMC R10	Operating voltage	12V - 24V
EMC R10	Yes	Operation temperature	-40°C / +85°C
Flash patterns	1 pattern only: rotating	Packing	White box with label
Height mm	194 mm	Polarity	Protected against inverted polarity
Height range	171 - 210 mm	Synchronisable	No
IP-degree	IP45	To be ordered by	1
Light source	LED	Weight (kg)	0,730 Kg