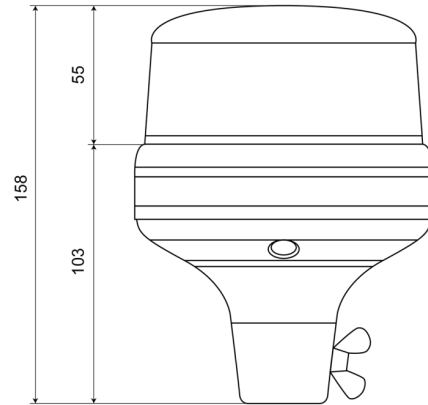


# ROTATING BEACONS

510F-DV-BL

Beacon | LED | flexible tube mounting | 12-24V | blue

EAN: 5414184690158



## Specifications

|                |               |                          |                        |
|----------------|---------------|--------------------------|------------------------|
| Color          | Blue          | Mounting                 | Flexible tube mounting |
| Connection     | Tube mounting | Number of LEDs           | 8                      |
| Diameter mm    | 130 mm        | Number of flash patterns | 14                     |
| ECE R65 Class1 | Yes           | Operating voltage        | 12V - 24V              |
| EMC            | EMC R10       | Operation temperature    | -30°C / +65°C          |
| EMC R10        | Yes           | Packing                  | POS packaging          |
| Height mm      | 158 mm        | Supplied with            | Manual                 |
| Height range   | 131 - 170 mm  | Synchronisable           | No                     |
| IP-degree      | IPX5          | To be ordered by         | 1                      |
| Light source   | LED           | Weight (kg)              | 0,718 Kg               |