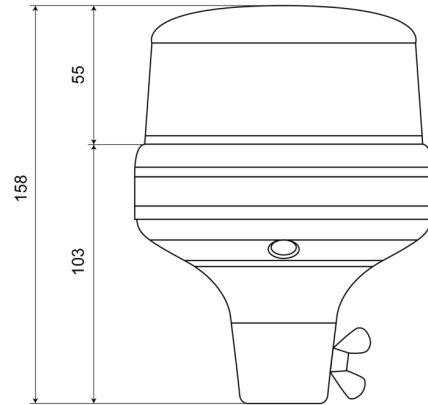


# ROTATING BEACONS

510F-DV-OR

Beacon | LED | flexible tube mounting | 12-24V | amber

EAN: 5414184690165



## Specifications

Color	Amber	Light source	LED
Colour of lens	Amber	Mounting	Tube mounting, flexible
Connection	Tube mounting	Number of LEDs	8
Diameter mm	118 mm	Number of flash patterns	14
Diameter range	131 - 170 mm	Operating voltage	12V - 24V
ECE R65 Class 1	Yes	Operation temperature	-30°C / +65°C
EMC	EMC R10	Packing	POS packaging
EMC R10	Yes	Supplied with	Manual
Height mm	158 mm	Synchronisable	No
Height range	131 - 170 mm	To be ordered by	1
IP-degree	IPX5	Weight (kg)	0,400 Kg