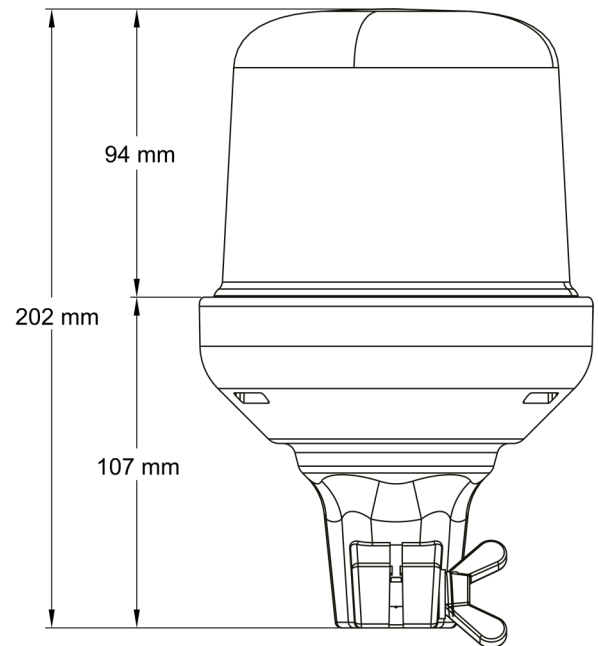


ROTATING BEACONS

515F-DV-BL

Beacon | LED | flexible tube mounting | 12-24V | blue

EAN: 5414184690059



Specifications

Color	Blue
Connection	Tube mounting
Diameter mm	130 mm
ECE R65 Class 1	Yes
EMC	EMC R10
EMC R10	Yes
Height mm	202 mm
Height range	171 - 210 mm
IP-degree	IPX5
Light source	LED

Mounting	Flexible tube mounting
Number of LEDs	10
Number of flash patterns	14
Operating voltage	12V - 24V
Operation temperature	-30°C / +65°C
Packing	POS packaging
Supplied with	Manual
Synchronisable	No
To be ordered by	1
Weight (kg)	0,89 Kg