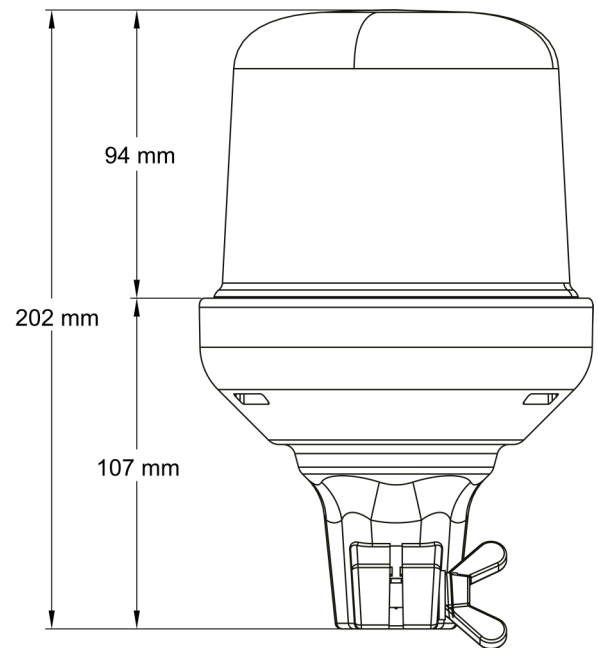


ROTATING BEACONS

515F-DV-OR

Beacon | LED | flexible tube mounting | 12-24v | amber

EAN: 5414184690066



Specifications

Color	Amber	Mounting	Tube mounting, flexible
Connection	Tube mounting	Number of LEDs	10
Diameter mm	130 mm	Number of flash patterns	14
ECE R65 Class1	Yes	Operating voltage	12V - 24V
EMC	EMC R10	Operation temperature	-30°C / +65°C
EMC R10	Yes	Packing	POS packaging
Height mm	202 mm	Supplied with	Manual
Height range	171 - 210 mm	Synchronisable	No
IP-degree	IPX5	To be ordered by	1
Light source	LED	Weight (kg)	0,888 Kg