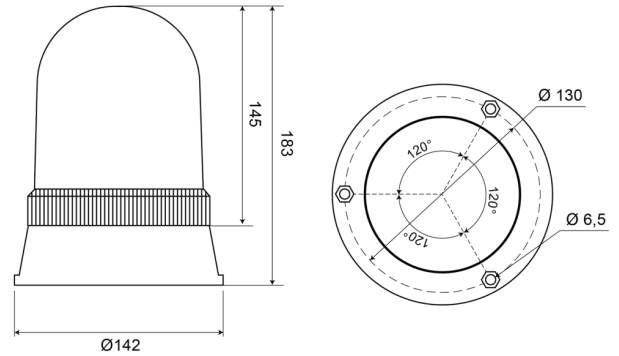


# ROTATING BEACONS

540240

Rotating beacon | 3 bolt mount | 24V | amber

EAN: 5414184510029



## Specifications

|                |                 |                       |                 |
|----------------|-----------------|-----------------------|-----------------|
| Color          | Amber           | Light source          | Halogen         |
| Connection     | Open cable ends | Mounting              | 3 bolt mounting |
| Diameter mm    | 142 mm          | Operating voltage     | 24V             |
| ECE R65 Class1 | Yes             | Operation temperature | -30°C / +40°C   |
| EMC            | EMC             | Rotations/minute      | 180 +/- 30      |
| Height mm      | 183 mm          | To be ordered by      | 1               |
| Height range   | 171 - 210 mm    | Weight (kg)           | 0,605 Kg        |