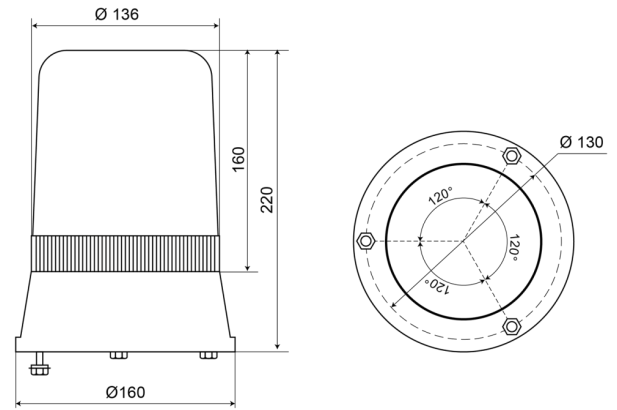


ROTATING BEACONS

59512G

Rotating beacon | 3 bolt mount | 12V | green

EAN: 5414184011069



Specifications

| | | | |
|----------------|-----------------|-----------------------|-----------------|
| Color | Green | IP-degree | IP65 |
| Connection | Open cable ends | Light source | Halogen |
| Diameter mm | 160 mm | Mounting | 3 bolt mounting |
| Diameter range | 171 - 210 mm | Operating voltage | 12V |
| ECE R65 | No | Operation temperature | -30°C / +50°C |
| EMC | EMC | Rotations/minute | 180 +/- 30 |
| Height mm | 220 mm | To be ordered by | 1 |
| Height range | 211 - 240 mm | Weight (kg) | 1,200 Kg |