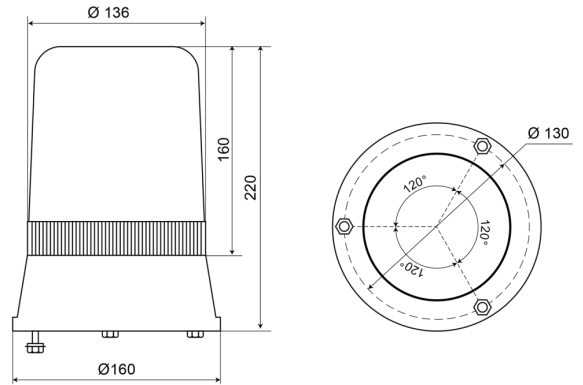


ROTATING BEACONS

59524G

Rotating beacon | 3 bolt mount | 24V | green

EAN: 5414184011076



Specifications

Color	Green
Connection	Open cable ends
Diameter mm	160 mm
ECE R65r	No
EMC	EMC
Height mm	220 mm
Height range	211 - 240 mm
IP-degree	IP65

Light source	Halogen
Mounting	3 bolt mounting
Operating voltage	24V
Operation temperature	-30°C / +50°C
Rotations/minute	180 +/- 30
To be ordered by	1
Weight (kg)	1,2 Kg