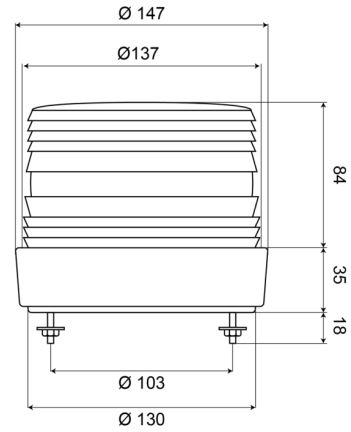


ROTATING BEACONS

620C

Beacon | Xenon | 2 bolt mounting | 12-48V | white

EAN: 5414184500020



Specifications

Certification	CE	Height range	111 - 130 mm
Color	White	Light source	Xenon
Connection	Open cable ends	Mounting	2 bolt mounting
Current draw Amp	Max 0,8 Amp	Operating voltage	12V - 48V
Diameter mm	137 mm	Operation temperature	-30°C / +50°C
ECE R65	No	Packing	White box with label
Flashes/minute	60-70	To be ordered by	1
Height mm	120 mm	Weight (kg)	0,700 Kg