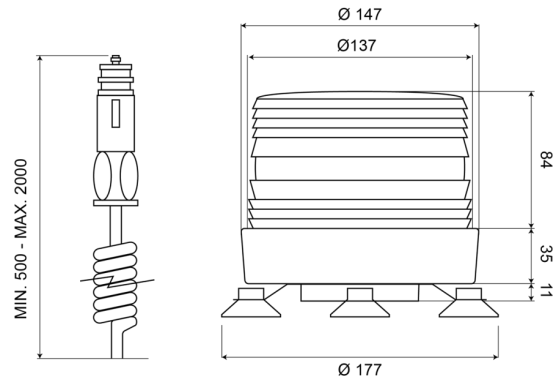


# ROTATING BEACONS

620MO

Beacon | Xenon | magnetic | 12-48V | amber

EAN: 5414184500037



## Specifications

Certification	CE
Color	Amber
Connection	Cigar-lighter plug
Current draw Amp	Max 0,8 Amp
Diameter mm	137 mm
ECE R65	No
Flashes/minute	60-70
Height mm	120 mm
Height range	111 - 130 mm
Length of cable (m)	0,50 m - 2 m

Light source	Xenon
Mounting	Magnetic
Operating voltage	12V - 48V
Operation temperature	-30°C / +50°C
Packing	White box with label
To be ordered by	1
Weight (kg)	1,220 Kg