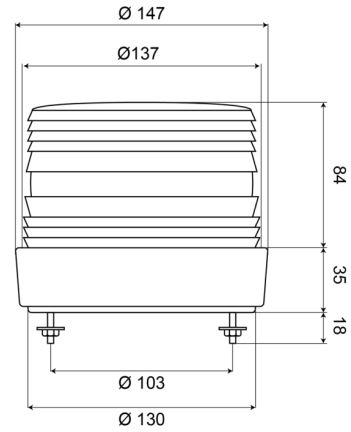


ROTATING BEACONS

620R

Beacon | Xenon | 2 bolt mounting | 12-48V | red

EAN: 5414184002760



Specifications

Certification	CE	Light source	Xenon
Color	Red	Mounting	2 bolt mounting
Connection	Open cable ends	Operating voltage	12V - 48V
Current draw Amp	Max 0,8 Amp	Operation temperature	-30°C / +50°C
Diameter mm	137 mm	Packing	White box with label
Diameter range	171 - 210 mm	To be ordered by	1
ECE R65	No	Weight (kg)	0,700 Kg
Flashes/minute	60-70		
Height mm	120 mm		
Height range	111 - 130 mm		