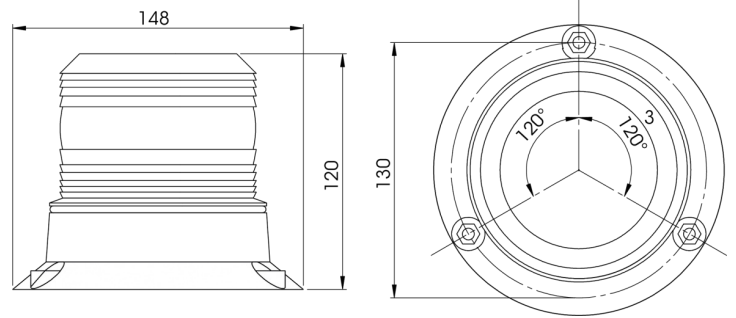


ROTATING BEACONS

622LED-RO

Beacon | LED | 3 bolt mounting | 12-24V | red

EAN: 5414184018464



Specifications

Color	Red	Light source	LED
Colour of lens	Red	Mounting	3 bolt mounting
Connection	Open cable ends	Number of LEDs	9
Diameter mm	107 mm	Number of flash patterns	1
ECE R65	No	Operating voltage	12V - 24V
EMC	EMC R10	Operation temperature	-20°C / +50°C
EMC R10	Yes	Packing	POS packaging
Height mm	120 mm	Synchronisable	No
Height range	111 - 130 mm	To be ordered by	1
IP-degree	IP65	Weight (kg)	0,440 Kg