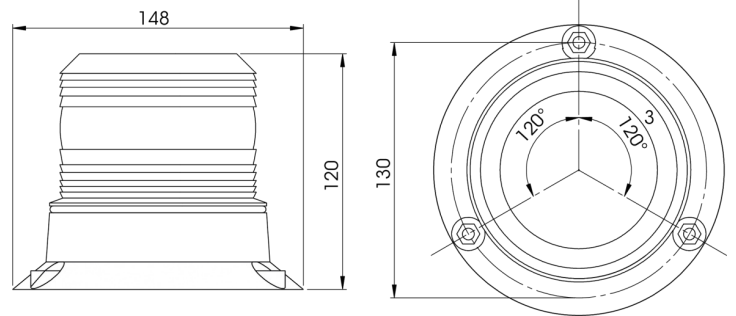


# ROTATING BEACONS

622-5W0

Beacon | LED | 3 bolt mounting | 10-120V | amber

EAN: 5414184018549



## Specifications

Color	Amber	Number of LEDs	20
Connection	Open cable ends	Number of flash patterns	1
Diameter mm	107 mm	Operating voltage	11V - 110V
ECE R65	No	Operation temperature	-30°C / +50°C
EMC	EMC	Packing	White box with label
EMC R10	Yes	Supplied with	Mounting screws + seal
Height mm	120 mm	To be ordered by	1
Height range	111 - 130 mm	Watt	5 Watt
IP-degree	IP66	Weight (kg)	0,488
Length of cable (m)	0,30 m		
Light source	LED		
Mounting	3 bolt mounting		