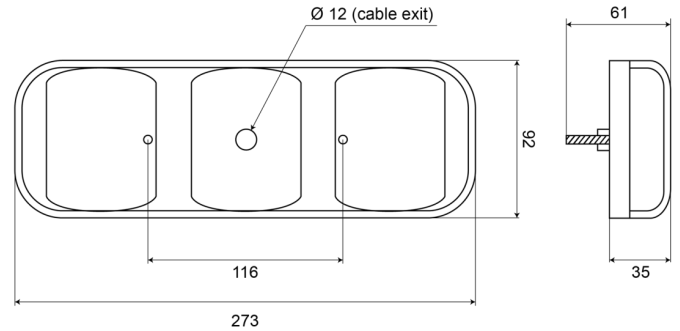
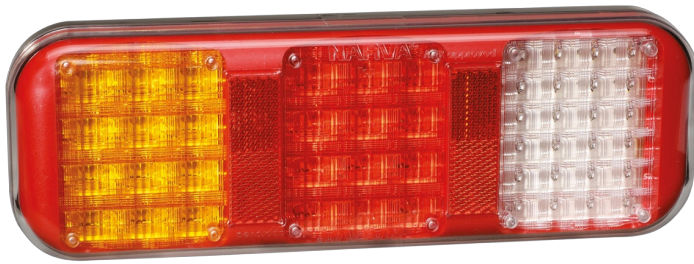


LIGHTS FRONT AND REAR

94210

LED rear light | left+right | 12-24V

EAN: 5414184680005



Specifications

Certification	ECE	Mounting side	Rear - Left & right
Characteristics	Lens in PC ensures that this light is virtually unbreakable	Operating voltage	12V - 24V
Color	Amber/red/white	Packing	POS packaging
Colour of lens	Amber/red/white	Supplied with	Mounting screws and rubber fixing path
Connection	Open cable ends	Thickness mm	37 mm
Height mm	100 mm	To be ordered by	1
IP-degree	IP66+IP67	Type	Rear lights
Length mm	284 mm	Weight (kg)	0,680 Kg
Length of cable (m)	0,50 m	With Direction indicator	Yes
Light source	LED	With Reversing light	Yes
Material	Polycarbonat	With Tail-Stop	Yes
Mounting	Surface mount	Without triangular reflector	Yes