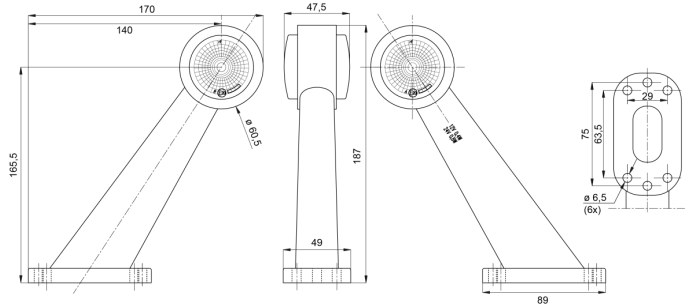


# MARKERLIGHTS

AE-01-193

LED marker light | left+right | 12-24V | red/white

EAN: 5414184650046



## Specifications

Certification	ECE R7
Color	Red/white
Colour of lens	Red/clear
Connection	Open cable ends
Functions	Outline marker 2 functions
Height mm	170 mm
IP-degree	IP66+IP68
Length mm	156,5 mm
Light source	LED
Mounting	Surface mount

Mounting side	Left & right
Operating voltage	12V - 24V
Operation temperature	-30°C / +65°C
Packing	POS packaging
Thickness mm	47,5 mm
To be ordered by	1
Weight (kg)	0,3 Kg

## Good to know

Connection wires specially treated to ensure watertightness