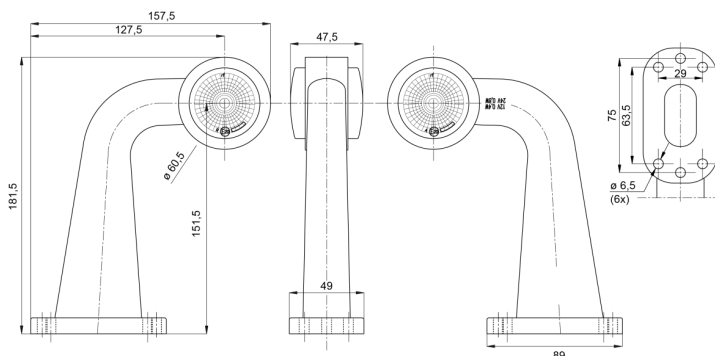


MARKERLIGHTS

AE-01-195

LED marker light | left+right | 12-24V | red/white

EAN: 5414184650060



Specifications

Certification	ECE R7	Mounting side	Left & right
Color	Red/white	Operating voltage	12V - 24V
Colour of lens	Red/clear	Operation temperature	-30°C / +65°C
Connection	Open cable ends	Packing	POS packaging
Functions	Outline marker 2 functions	Thickness mm	47,5 mm
Height mm	157,5 mm	To be ordered by	1
IP-degree	IP66+IP68	Weight (kg)	0,42 Kg
Length mm	181,5 mm		
Light source	LED		
Mounting	Surface mount		