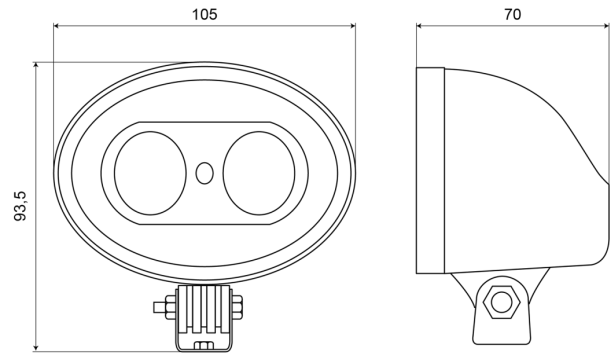


WORK LIGHTS

BLUESAFE2

LED safety light forklift | blue | 9-50V | oval

EAN: 5414184280045



Specifications

Characteristics	100% aluminium housing 'anti-corrosion' with heat conductive black coating
Color	Blue
Colour of LEDs	Blue
Colour of lens	Clear
Connection	Open cable ends
EMC	EMC
Height mm	94 mm
IP-degree	IP67
Length of cable (m)	2,5 m
Light source	LED
Lumen	700

Mounting	Bolt
Mounting side	N/A
Number of LEDs	2
Operating voltage	9V - 50V
Packing	White box with label
Thickness mm	70 mm
To be ordered by	1
Type	Spot projection, Safety lights
Watt	10 Watt
Weight (kg)	0,73 Kg
Width mm	105 mm