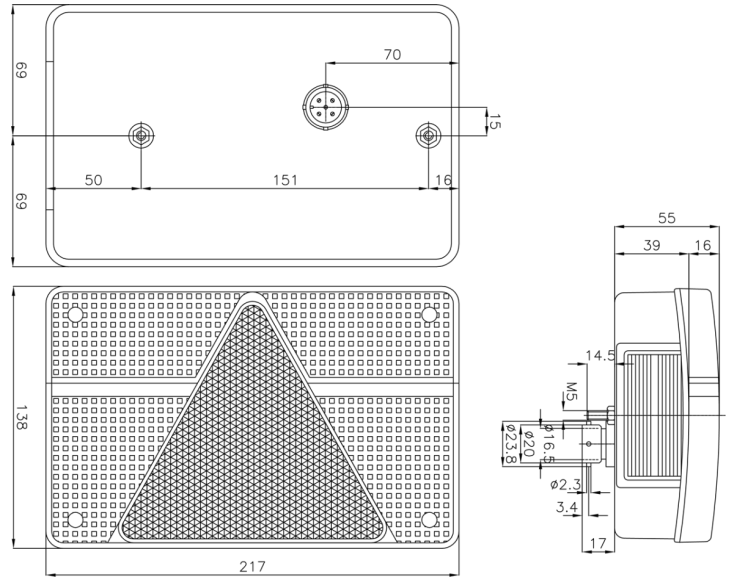


# LIGHTS FRONT AND REAR

FP.56.110

Rear light | left | 12V

EAN: 5414184002173



## Specifications

Certification	ECE	Thickness mm	52 mm
Color	Red/white	To be ordered by	1
Colour of lens	Red/white	Type	Rear lights
Connection	Plug 5 pins	Weight (kg)	0,385 Kg
Height mm	135 mm	With Direction indicator	Yes
Length mm	215 mm	With License plate light - side	Yes
Light source	Halogen	With Rear fog light	Yes
Mounting	Surface mount	With Tail-Stop	Yes
Mounting side	Rear - Left	With Triangular reflector	Yes
Operating voltage	12V		
Socket	P21W-BA15s/P21/5W-BAY 15d		
Supplied with	Mounting screws and 5 pins plug		