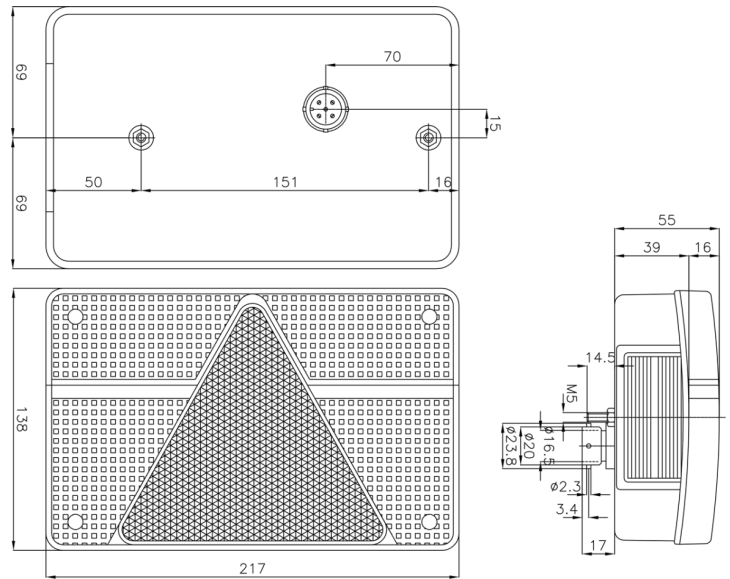


# LIGHTS FRONT AND REAR

FP.58.117

Rear light | left | 12V

EAN: 5414184002203



## Specifications

Certification	ECE	Supplied with	Mounting screws and 6 pins plug
Color	Red/white	Thickness mm	52 mm
Colour of lens	Red/white	To be ordered by	1
Connection	Plug 6 pins	Type	Rear lights
Height mm	135 mm	Weight (kg)	0,425 Kg
Length mm	215 mm	With Direction indicator	Yes
Light source	Halogen	With License plate light - side	Yes
Mounting	Surface mount	With Rear fog light	Yes
Mounting side	Rear - Left	With Reversing light	Yes
Operating voltage	12V	With Tail-Stop	Yes
Socket	P21W-BA15s/P21/5W-BAY 15d	With Triangular reflector	Yes