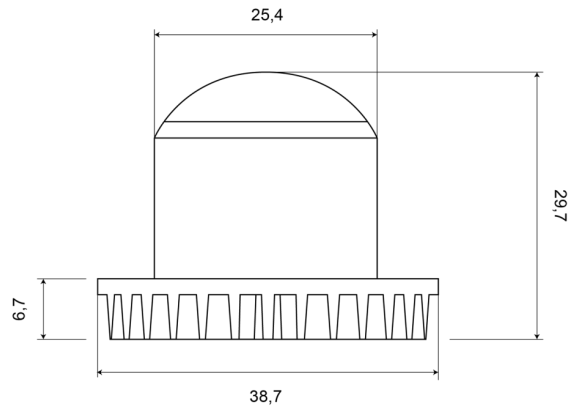


LED FLASHERS

HIDE LED-CR

LED Flasher | 2x9 LEDs | 12-24V | white

EAN: 5414184018860



Specifications

Color	White	Number of LEDs	2x9
Colour of lens	Clear	Number of flash patterns	19
Connection	Open cable ends	Operating voltage	12V - 24V
Dimensions	39 mm x 30 mm x 25 mm	Shape	Round
ECE R65	No	Supplied with	Mounting screws, gasket, manual
EMC	No	Synchronisable	Yes
IP-degree	IPX6	Waterproof	IPX6
Length of cable (m)	0,20 cm	Watt	15 Watt
Light source	LED	Weight (kg)	0,517 Kg
Mounting	Recess mount		