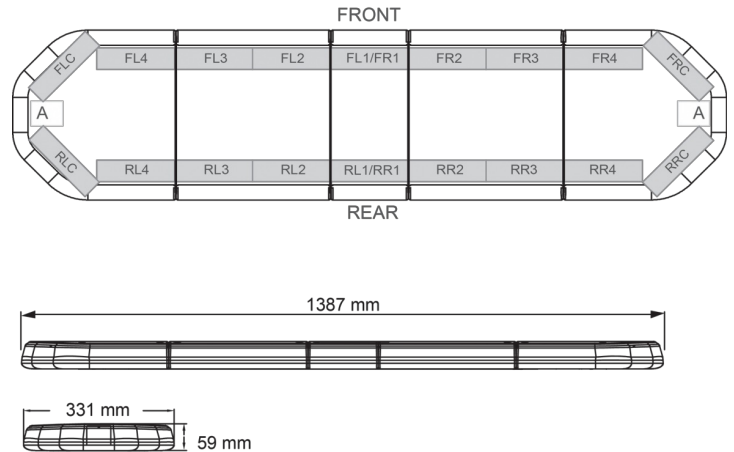


# LED LIGHTBARS

LEG139012CB

LEGION LED lightbar | 139 cm | amber | 12V + control box

EAN: 5414184002982



## Specifications

Characteristics	With control box (TRAFLEDCONTR.REV1)
Color	Amber
Colour of lens	Clear
Connection	Open cable ends
Current draw Amp	17 Amp
Dimensions	1387 mm x 331 mm x 59 mm (without mounting brackets)
Directional arrow	Yes, at the back side
ECE R65 Class 2	Yes
EMC	EMC R10
EMC R10	Yes
Length of cable (m)	4,50 m
Length range	LARGE (131 - 150 cm)

Light source	LED
Mounting	Fixed
Number of LEDs	132
Operating voltage	12V
Packing	Brown box with label
Roof connector	No, but possible as an option
Series	Legion
Supplied with	Cable, universal mounting brackets, control box, manual
To be ordered by	1
Waterproof	Yes
Weight (kg)	15,800 Kg