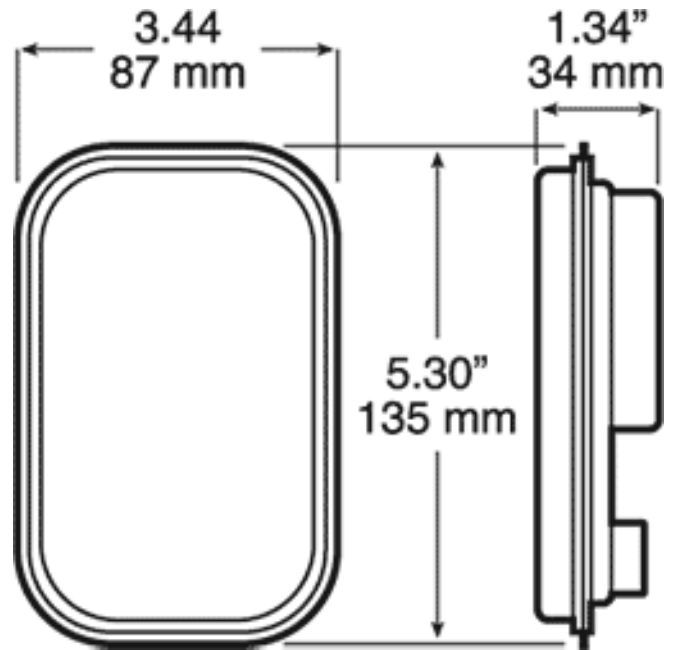


LIGHTS FRONT AND REAR

PM 850A-R

Rear light LED | position | stop | indicator

EAN: 5414184060357



Specifications

Connection	Open cable ends
Dimensions	135 mm x 87 mm x 34 mm
EMC R10	Yes
IP-degree	IP67
Light source	LED
Mounting	Surface mount
Mounting side	Rear - Left & right
Operating voltage	12V - 24V

Type	Rear lights
With Direction indicator	Yes
With Stop	Yes
With Tail light	Yes
Without triangular reflector	Yes