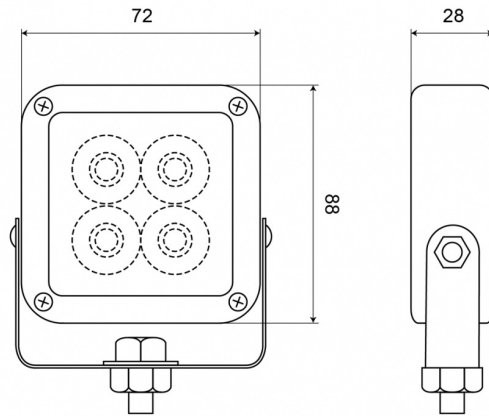


LED FLASHERS

SQ4LED-BL

LED Flasher | 4 LEDs | 12-24V | blue

EAN: 5414184205444



Specifications

Color	Blue	Operating voltage	12V - 24V
Colour of lens	Clear	Operation temperature	-30°C / +65°C
Connection	Open cable ends	Shape	Square
Dimensions	88 mm x 72 mm x 28 mm	Synchronisable	Yes
ECE R65	No	To be ordered by	1
Length of cable (m)	1 m	Waterproof	Yes
Light source	LED	Weight (kg)	0,305 Kg
Mounting	Surface mount with U-bracket		
Number of LEDs	4		
Number of flash patterns	19		