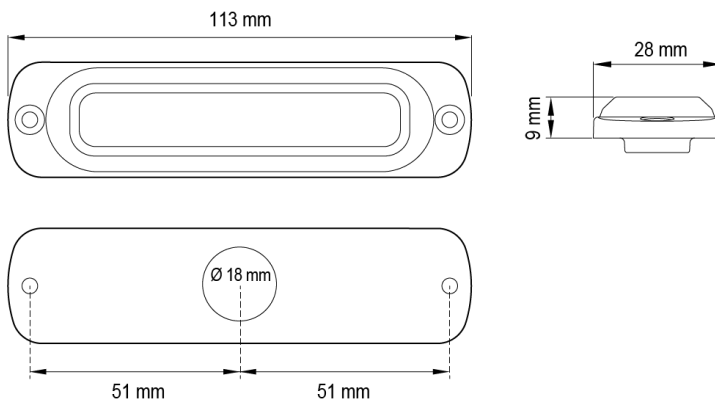


# LED FLASHERS

ST6-OR

LED Flasher | 6 LEDs | 12-24V | amber

EAN: 5414184019461



## Specifications

CISPR 25	12V : CISPR 25 Class 3 - 24V : CISPR 25 Class 2	Number of LEDs	6
Color	Amber	Number of flash patterns	29
Colour of lens	Clear	Operating voltage	12V - 24V
Connection	Open cable ends	Operation temperature	-30°C / +65°C
Dimensions	113 mm x 28 mm x 9 mm	Shape	Rectangular/long/elongated
ECE R65 Class 2	Yes	Supplied with	Mounting screws, gasket, manual
EMC	EMC R10	Synchronisable	Yes
EMC R10	Yes	To be ordered by	1
IP-degree	IPX7	Watt	14,40 Watt
Length of cable (m)	0,21 m	Weight (kg)	0,140 Kg
Light source	LED		
Mounting	Surface mount		